



Swivel Joint (rotating head joint) Type DK-02

DN 8 - DN 50



Rotating head joint

Structure

- stator (outer part) and rotor (inner part) joined by a two-row ball bearing
- for-life lubrication provided in the factory
- female thread according to ISO 7-1 (DIN 2999)

Materials

Basic unit with threaded connection	
	1.7225
	1.4571

Standard sealings

- PTFE compound

Special sealings

- additional inner sealing for heavily polluted media
- medium sealings for oxygen, steam and food products

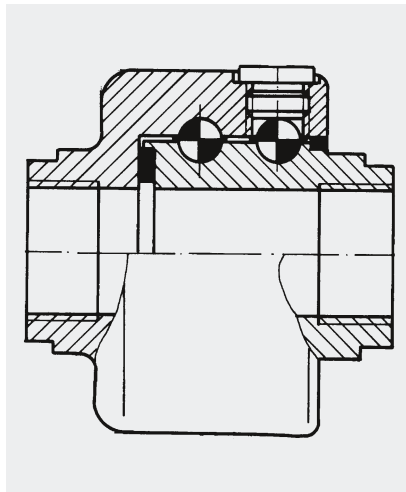
Pressure rating

- PN 250, PN 350 (1.7225), PN 420 on request
- PN 100 (1.4571)

Surface protection

- Gas nitration
- Corrosion-protection primer

Design



Type DK-02
with two-row ball bearing

Dimensions

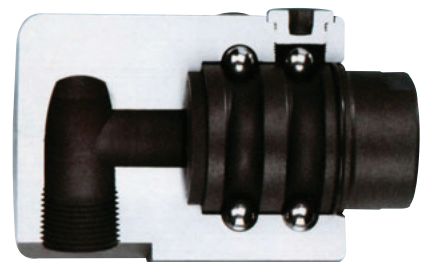
DN 8 to DN 50

Notes

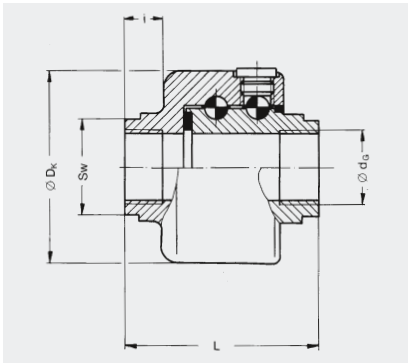
General technical instructions must be observed. Subject to technical alterations and fluctuations caused by the production process. Number of revolutions for swivel and rotation movements ≤ 10 rpm. Swivel movements in several planes see catalogue page 5/5. Sets of sealings and balls available individually as spare parts.

Application

- for liquid or gaseous media at high temperatures and pressures
- suitable for loads with high bending moments
- for slow swivel and rotation movements through 360°
- fast installation with threaded connection
- for rough operating conditions
 - in hydraulic flow pipes
 - at roll stands
 - at hose drums
- for installation in flexible pipeline systems, for conveying media from a fixed point to any required flexible point
 - filling systems
 - loading and swivel arms
 - pipe joint shears
- use at test facilities
- special designs suitable for food products

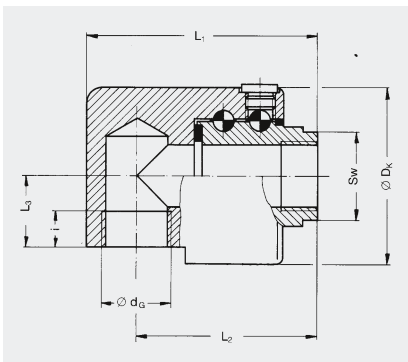


Form 11IG / threaded connection



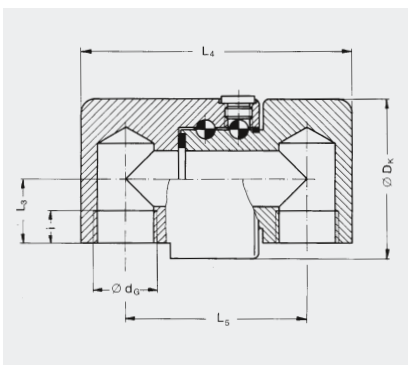
DN	$\varnothing d_G$ Zoll	i mm	$\varnothing D_k$ mm	S_w mm	L mm	weight approx. kg
8	Rp 1/4"	12	72	32	110	2.7
10	Rp 3/8"	12	72	32	110	2.7
15	Rp 1/2"	14	72	32	110	2.8
20	Rp 3/4"	16	72	32	110	2.8
25	Rp 1"	18	78	41	110	2.9
32	Rp 1 1/4"	20	88	55	120	3.8
40	Rp 1 1/2"	22	104	60	120	3.9
50	Rp 2"	24	118	70	145	5.4

Form 12IG / threaded connection



DN	$\varnothing d_G$ Zoll	i mm	$\varnothing D_k$ mm	S_w mm	L_1 mm	L_2 mm	L_3 mm	weight approx. kg
8	Rp 1/4"	12	72	32	132	110	30	3.7
10	Rp 3/8"	12	72	32	132	110	30	3.7
15	Rp 1/2"	14	72	32	132	110	30	3.8
20	Rp 3/4"	16	72	32	132	110	30	3.8
25	Rp 1"	18	78	41	132	110	32	3.9
32	Rp 1 1/4"	20	88	55	158	125	34	6.5
40	Rp 1 1/2"	22	104	60	158	125	40	6.6
50	Rp 2"	24	118	70	190	150	40	9.0

Form 13IG / threaded connection



DN	$\varnothing d_G$ Zoll	i mm	$\varnothing D_k$ mm	L_3 mm	L_4 mm	L_5 mm	weight approx. kg
8	Rp 1/4"	12	72	30	154	110	5.0
10	Rp 3/8"	12	72	30	154	110	5.0
15	Rp 1/2"	14	72	30	154	110	5.1
20	Rp 3/4"	16	72	30	154	110	5.1
25	Rp 1"	18	78	32	160	115	5.2
32	Rp 1 1/4"	20	88	34	200	132	9.3
40	Rp 1 1/2"	22	104	40	200	132	9.5
50	Rp 2"	24	118	40	235	155	11.9